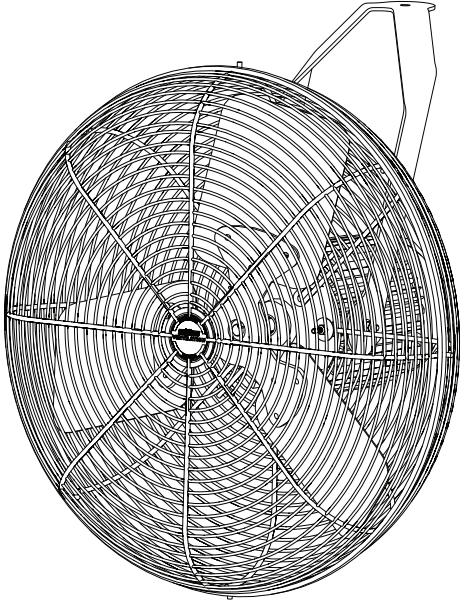
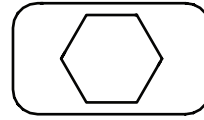


J&D Manufacturing

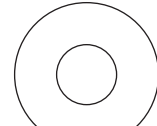
STAINLESS-STEEL BASKET FAN



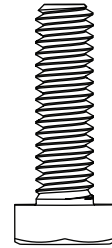
INCLUDED ASSEMBLY HARDWARE - TO SCALE



(2) Bolt Lug



(2) 1/4"
Flat Washer



(2) 1/4" x 7/8"
Hex Bolt



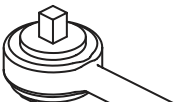
(2) 1/4"
Nylock Nut

WARRANTY

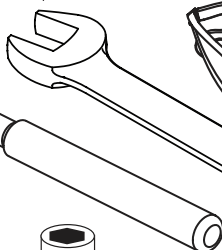
J&D Manufacturing warrants all products are free from defects in materials and workmanship under normal use for the period of one year from date of purchase. Our warranty does not cover normal or regular wear and tear. J&D Manufacturing can repair or replace at our option, any product or part of the product that is found to be defective. Our warranty applies to materials only, and does not include return freight, delivery, loss or damage to personal property, cost of removal or installation, any incidental or consequential damages or labor. This warranty does not apply to products which are misused, abused, altered, improperly installed or subject to negligence. All warranties must be approved through our warranty department. The original purchaser must present a copy of the invoice for the defective product. One year is our standard warranty unless specified on our literature or in the installation instructions or user manuals.

RECOMMENDED TOOLS FOR ASSEMBLY (NOT PROVIDED)

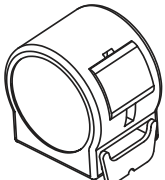
Socket Wrench



Combination Wrench
7/16"



Safety Glasses

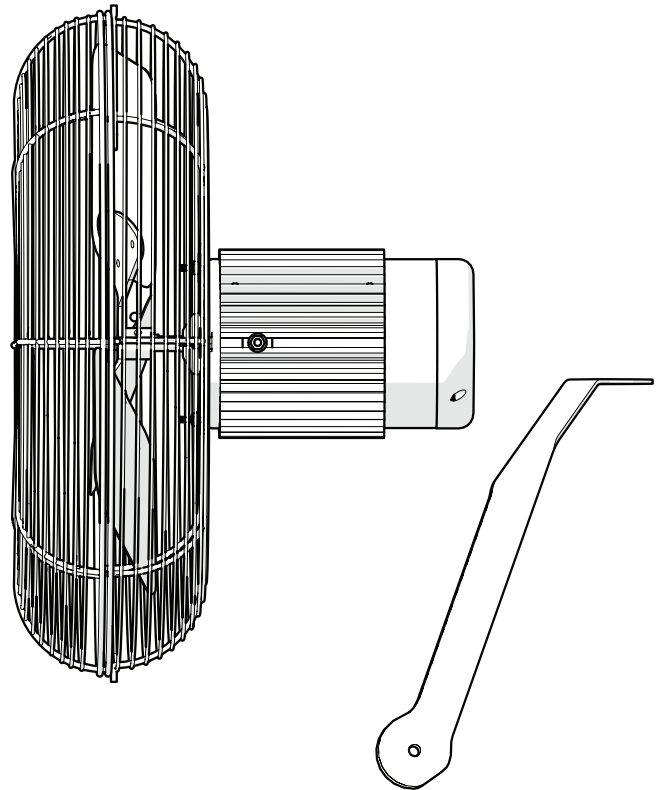


Measuring Tape



7/16" Socket

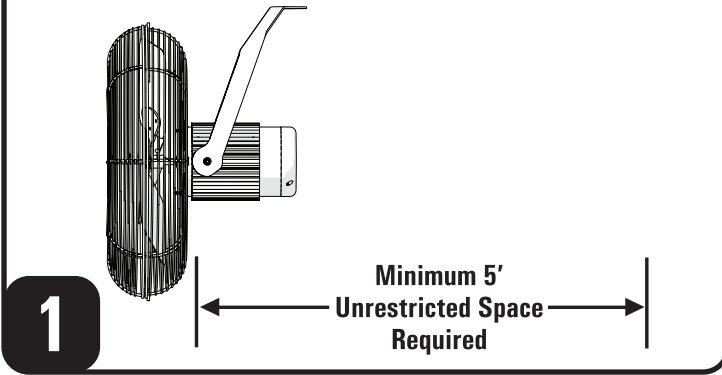
PARTS LEGEND



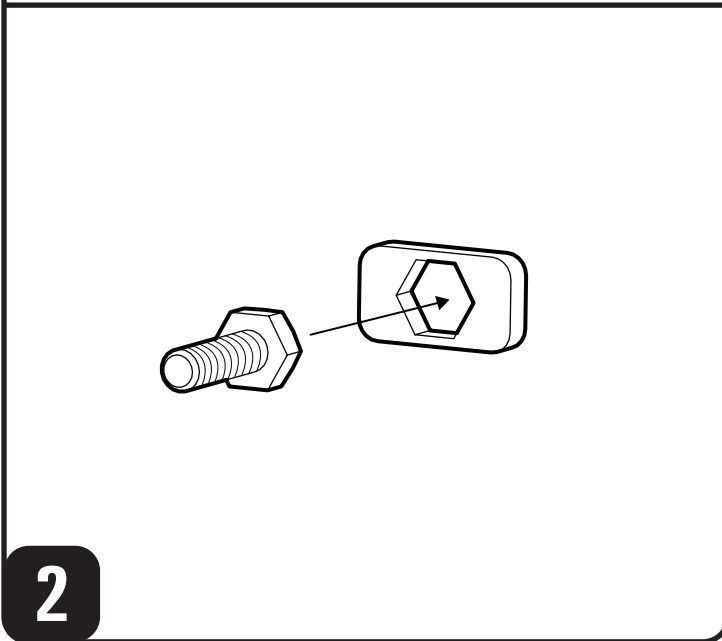
INSTALLATION

Please read over all instructions carefully before you begin. If you have any questions please call your local dealer, or contact J&D Manufacturing at 1-800-998-2398.

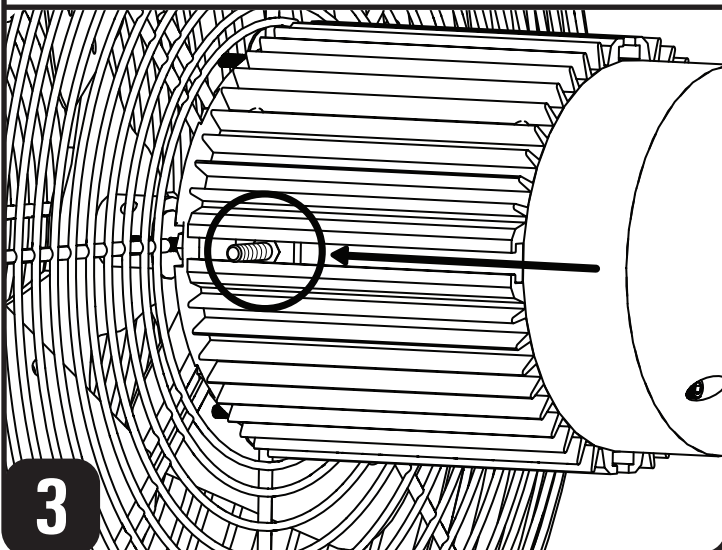
It is important to select a proper location when mounting your circulation fan. You must provide a minimum of 5' unrestricted air flow on the back side of the fan. Failure to provide the space needed for airflow may reduce motor life and void the warranty.



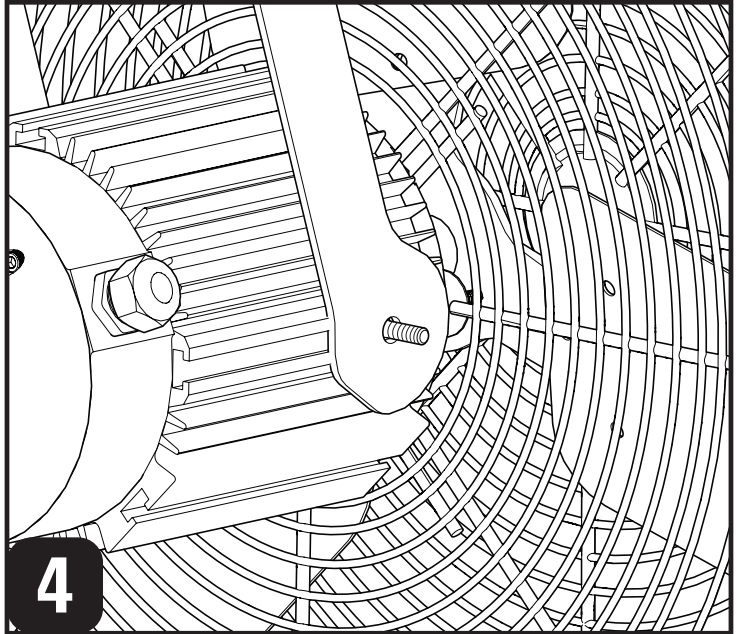
Insert (1) 1/4"-20x7/8" Hex Bolt into (1) Bolt Lug.



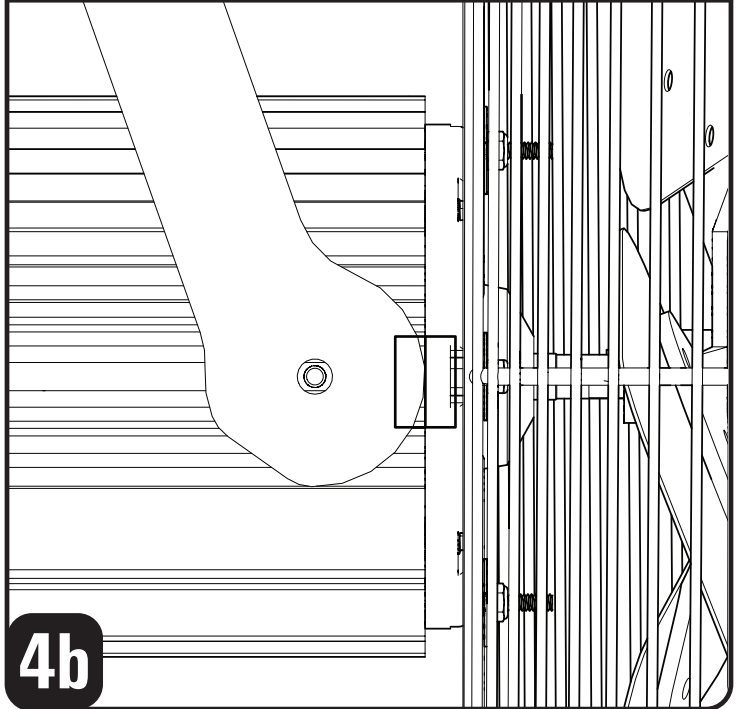
Slide Bolt Lug with Hex Bolt into T-slot on the motor. Repeat Step 2 & 3 on other side of motor.



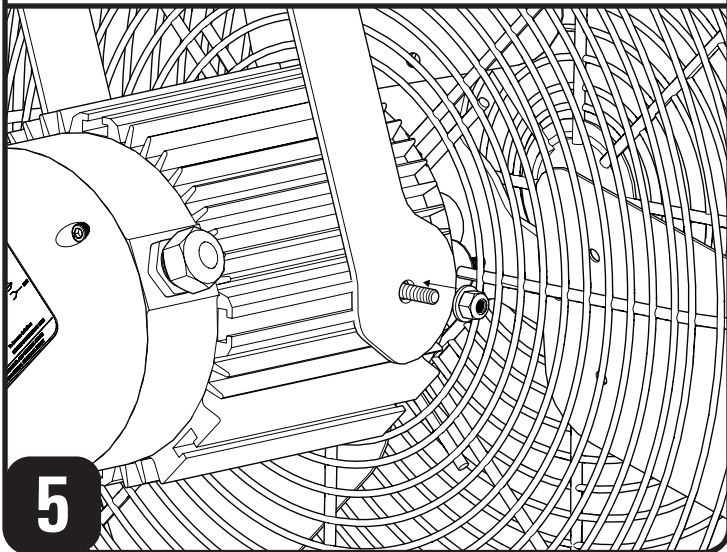
Place mounting bracket over the bolts on each side. The bracket can flex enough to do this.



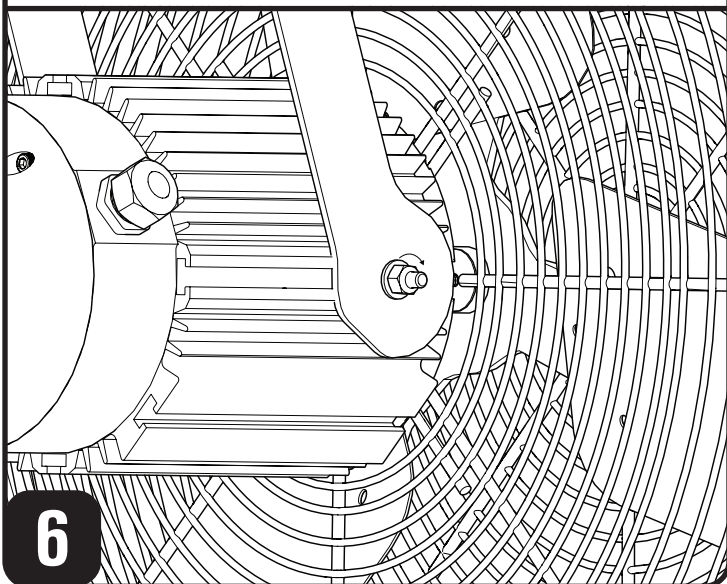
For balance, the side arc of the bracket should be in line with the edge of the motor fins.



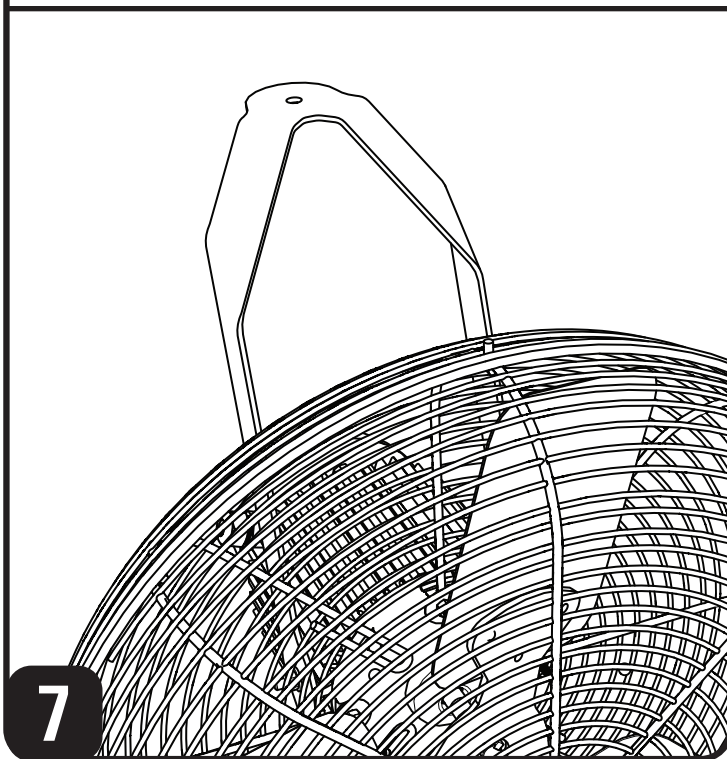
Once the bracket is over the bolts completed in step 4, place (1) ¼" flat washer and (1) ¼" Nylock Nut onto the bolt. Repeat on the other side.



Tighten ¼" Nylock Nut with a 7/16" socket/wrench at desired fan tilt.

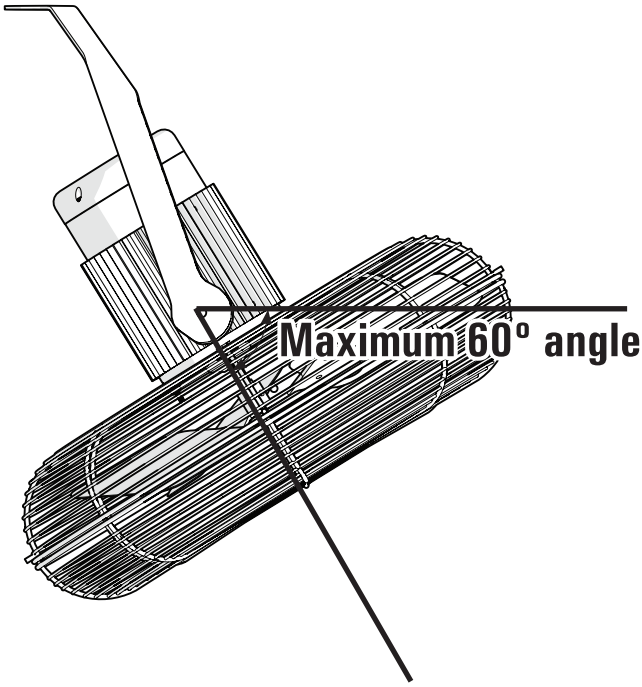


This fan can be mounted to the ceiling, beam, joist, or fixture as necessary. Make sure whatever you're mounting the fan to is strong enough to hold the weight of the fan, bracket, and hardware. Mounting hardware is not included. The hole at the top of the bracket is fitted for 3/8" hardware.



ADDITIONAL CLARIFICATIONS AND WARNINGS

Do NOT operate fan with the motor mounted at an angle larger than 60° from horizontal. This will void the warranty.



PROVIDING POWER TO FAN

Wiring instructions

- Wiring should only be performed by a trained electrician to prevent injury or death.
- Install manual disconnect switch inside building adjacent to fan.
- Route wire to motor with drip loop and secure. Drip loop will drain accumulated moisture away from the motor.
- Configure internal wires to match supply voltage and wire according to motor nameplate. Test to verify correct rotation.
- Only permit power to unit when guard and motor's cover plate is properly installed to prevent injury.

MAINTENANCE INSTRUCTIONS

- Disconnect power before cleaning or maintaining your fan in order to prevent serious injury or death.
- Service and repair of fan should only be completed by a qualified technician.
- For maximum efficiency and fan life, keep the following free from dirt and dust: blades, motor and guard.
- The totally enclosed air over motor has sealed ball bearings and does not require additional oil.



DISCONNECT POWER
BEFORE INSTALLING OR SERVICING.



ALL ELECTRICAL WORK SHOULD BE COMPLETED BY
QUALIFIED PERSONNEL AND MEET NATIONAL (NEC),
REGIONAL AND LOCAL ELECTRIC CODES.

J&D
Manufacturing

Visit our website at www.jdmfg.com