



HydroRoot 16 Quick Setup and Installation Guide



[Product Web Page](#)

The Link4 HydroRoot 16 Irrigation Controller is engineered for flexible, high-performance irrigation in greenhouses, nurseries, open fields, research labs, and university settings. It supports up to 16 irrigation zones with three intelligent modes: Schedule, Cycle/Misting, and Vapor Pressure Deficit (VPD) Accumulation.

The HydroRoot 16 operates fully standalone, but unlocks its full potential when connected to the Link4 Cloud Platform. Features such as remote access, data logging, smart triggers, custom rules, and user management are available through your cloud account.



[Cloud Connection Video](#)

Important System Components

- HydroRoot 16 Irrigation Controller** in weather-protected enclosure
- 24VAC transformer** (purchased separately) for power and valve activation
- Temperature and humidity sensor** (purchased separately) for VPD mode
- Internet availability** for remote cloud access (not operationally required)
- Wiring diagram** (also available from www.link4controls.com)
- User Manual** downloadable from the Link4 Support Portal.

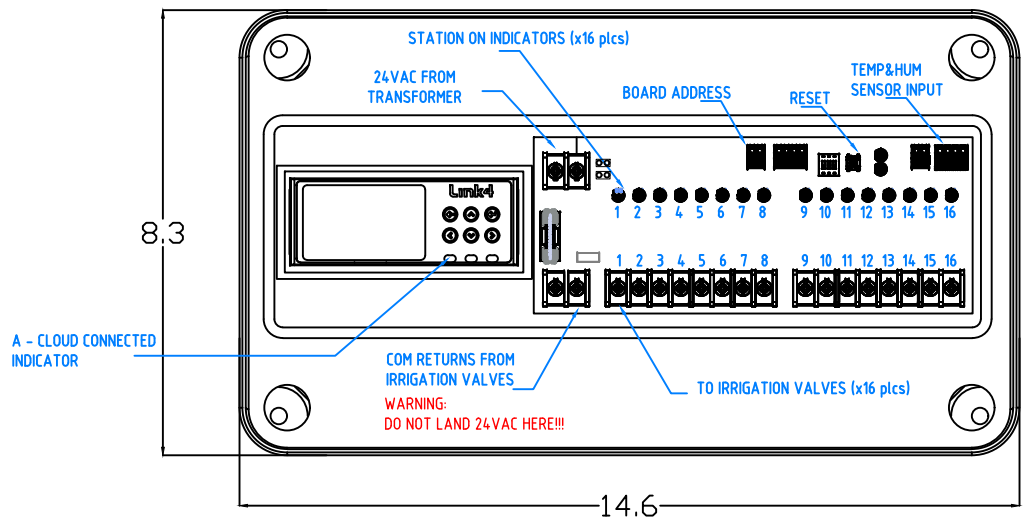
Troubleshooting & Support

- Unit does not power up
- Valve does not activate
- No cloud connection
- Check jumpers and transformer
- Check fuse and wiring
- Use laptop and check Internet

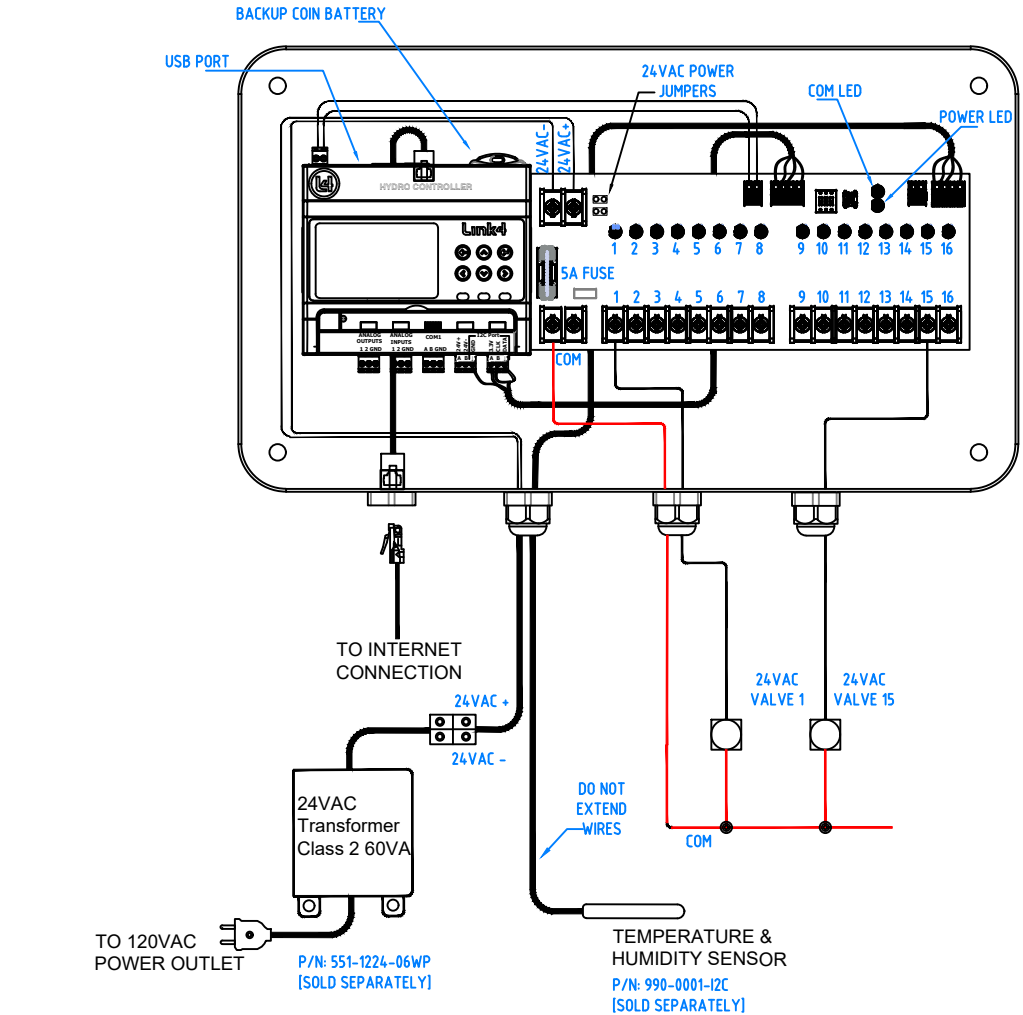


For advanced support, wiring guides, updates, and tutorials, visit [Link4 Support Portal](#)

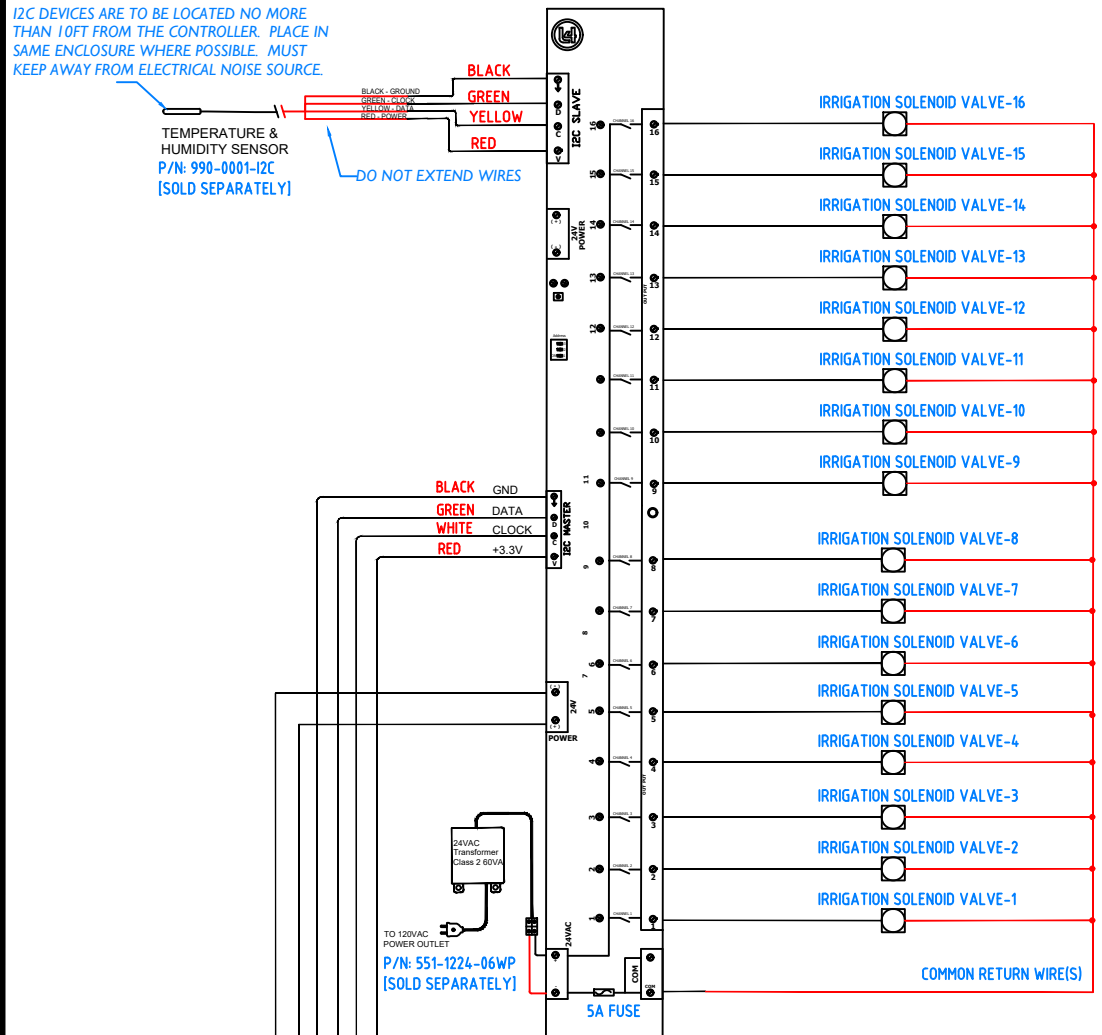
FRONT VIEW WITH DOOR



FRONT VIEW WITHOUT DOOR



16-OUTPUT CARD



- ELECTRICAL NOTES:**
1. MOUNT CONTROLLER IN DRY LOCATION AWAY FROM DIRECT SUN EXPOSURES.
 2. FIELD VERIFY ALL EQUIPMENT LOCATIONS, VOLTAGES, QUANTITIES, AND TYPES.
 3. FOR LOW VOLTAGE SENSOR AND COMMUNICATION WIRES USE STRANDED WIRES. CONSULT MANUAL FOR PROPER TYPES.
 4. FOR IRRIGATION WIRES USE #18/C SOLID CABLES FOR RUNS LESS THAN 250FT. FOR LONGER RUNS, SIZE APPROPRIATELY.
 5. ALL HIGH VOLTAGE WIRES AND INSTALLATION ARE PROVIDED BY THE ELECTRICAL CONTRACTOR.
 6. ALL HIGH VOLTAGE SIZING, CONDUIT ROUTING, CONDUITS ARE PROVIDED BY THE ELECTRICAL CONTRACTOR. FOLLOW ALL LOCAL AND NATIONAL ELECTRICAL CODE.
 7. ALL CONDUITS AND WIRE TRAYS ARE PROVIDED AND INSTALLED THE ELECTRICAL CONTRACTOR.
 8. FUSE IS 5AMP SLOW BLOW, 5X20MM.
 9. ALL LOW VOLTAGE WIRES ARE PROVIDED AND INSTALLED BY ELECTRICAL CONTRACTOR.
 10. LOCATE SENSOR AND SENSOR/DATA WIRING A MINIMUM OF 12 INCHES AWAY FROM ANY LOW OR HIGH VOLTAGE AC SOURCE.
 11. ALL PHYSICAL MOUNTING OF MOTOR, AND CONTROL PANELS ARE PROVIDED BY ELECTRICAL CONTRACTOR.
 12. WIRE SIZE AND INSTALLATION ARE PER NEC AND LOCAL CODES, PROVIDED BY OTHERS.

HOW TO CONNECT TO CLOUD



HYDROROOT PRODUCT PAGE



TECHNICAL SUPPORT PORTAL



HYDROROOT 16 IRRIGATION CONTROLLER

THIS INFORMATION IS CONFIDENTIAL AND PROPRIETARY TO THE LINK 4 CORPORATION AND SHALL NOT BE REPRODUCED OR DISCLOSED TO ANYONE OTHER THAN LINK4 EMPLOYEES WITHOUT WRITTEN AUTHORIZATION FROM LINK 4 CORPORATION.	Link4 CORPORATION 165 EAST LIBERTY AVENUE ANIMAS, CA 92003 (714) 524-9000 FAX	PROJECT: HYDROROOT 16 IRRIGATION CONTROLLER	
		TITLE: WIRING DIAGRAM	
DRAWN: A.R. DATE: 8/28/2025	CHECKED: Y.P. SCALE: NONE	SIZE: B PART/DWG. NO.: PIRR-A0-16T1	REV. A.1 SHEET: 01 OF 01